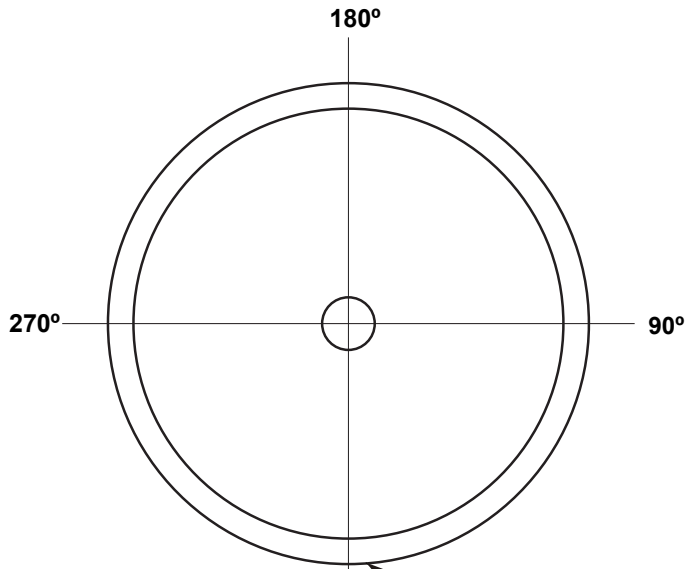




Specification Sheet
**CONE BOTTOM TANK ADAPTER
LOCATION SHEET**

SS130101.F 02/17



Please mark and locate the position for the Tank Adapter that has been ordered. **Don't forget to include height to center of fitting on the front view diagram.**

Company: _____

Purchase Order #: _____

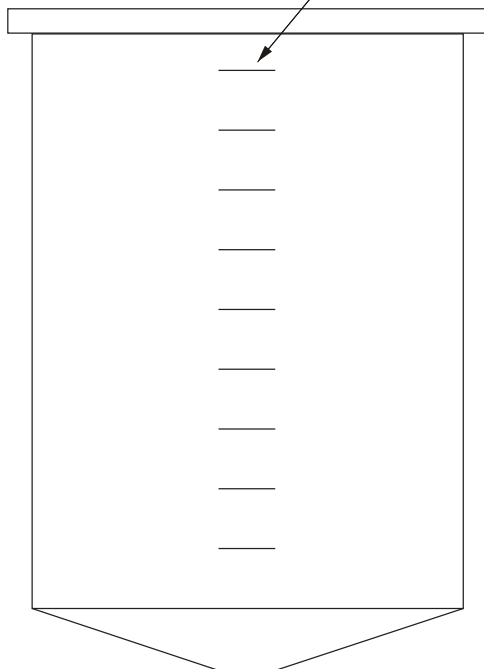
Signature: _____

Print Name: _____

Date: _____

TOP VIEW

0° GRADUATION MARKS



FRONT VIEW

Note: All dimensions are +/- 1/8". All weights are approximate. All dimensions are subject to change without notice.

MANUFACTURING: Mixers, Bypass Feeders, Filter Feeders, Bromine Feeders, Sample Coolers, Sludge Traps, Separators, Separator Systems, Tank Stands, Tank Package Systems, Glycol Feed Systems, Coupon Racks, Control Stations, NEMA Enclosures, Custom Packaged Systems and Specialty Welding

**P.O. Box 6207 | Garden Grove, CA 92846-6207 / 11800 Monarch St. | Garden Grove, CA 92841-2113 | Phone (714) 379-5519 | Fax (714) 379-5549
Northern California Region | Phone (510) 487-5310 | Southwest Region | Phone (602) 470-1015 | Email: customerservice@jllwingert.com**

www.jllwingert.com