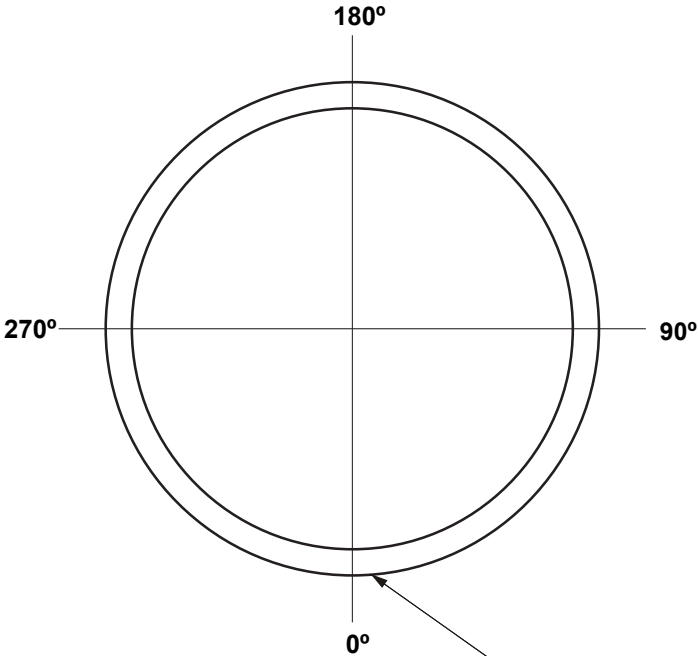




Specification Sheet  
**FLAT BOTTOM TANK ADAPTER  
LOCATION SHEET**

SS130100.F 02/17



Please mark and locate the position for the Tank Adapter that has been ordered. **Don't forget to include height to center of fitting on the front view diagram.**

Company: \_\_\_\_\_

Purchase Order #: \_\_\_\_\_

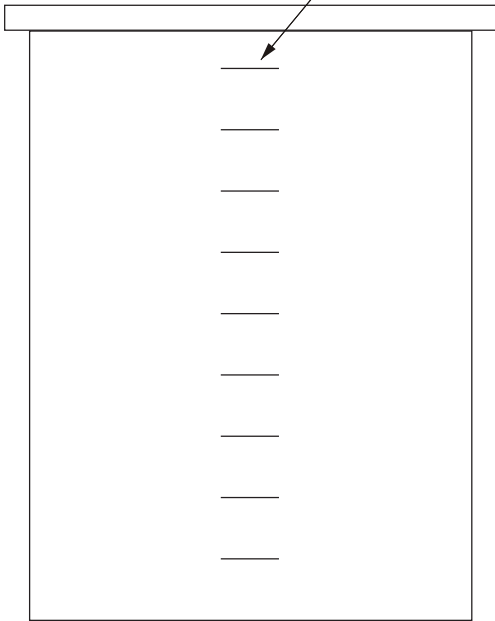
Signature: \_\_\_\_\_

Print Name: \_\_\_\_\_

Date: \_\_\_\_\_

**TOP VIEW**

0° GRADUATION MARKS



**FRONT VIEW**

**Note: All dimensions are +/- 1/8". All weights are approximate. All dimensions are subject to change without notice.**