


PARTS LIST		
KEY	ITEM	DESCRIPTION
1	INLET	4" LUG/LEVER BUTTERFLY VALVE (SHIPPED LOOSE)
2	BASKET STRAINER	4" CLASS 125 CAST IRON W/ STAINLESS STEEL BASKET
3	PUMP	GOULDS 6AI1M9C0 469 GPM @ 86 TDH 15HP TEPE
4	SKID	EPOXY COATED CARBON STEEL
5	CONTROL PANEL	NEMA 4X ENCLOSURE MAIN POWER DISCONNECT MAIN POWER LED INDICATOR PUMP H-O-A SWITCH PUMP RUNNING LED INDICATOR PURGE H-O-A SWITCH SYSTEM PURGING LED INDICATOR ALARM LED INDICATOR 460VAC TO 120VAC TRANSFORMER PUMP CONTACTOR AND OVERLOAD PROGRAMMABLE PURGE CONTROLLER REMOTE START/STOP TERMINALS (24VDC) REMOTE PURGE TERMINALS (24VDC)
6	SEPARATOR	XFD-0400 FLOW RATE AT 4 PSID: 352 GPM FLOW RATE AT 12 PSID: 610 GPM
7	PURGE	1-1/2" FPT 120VAC FULL PORT MOTORIZED PURGE KIT
8	DISCHARGE	4" LUG/LEVER BUTTERFLY VALVE (SHIPPED LOOSE)

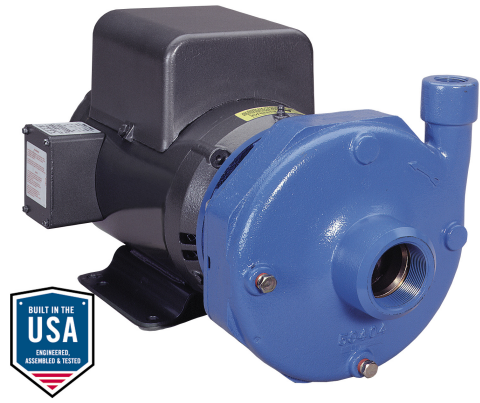
DRAWN	12/17/2020
RB	
CHECKED	
QA	
MFG	
APPROVED	



J.L. WINGERT CO.

TITLE	
JLW 450GPM @ 80TDH WITH MOTORIZED PURGE KIT, BASKET STRAINER, AND ISOLATION VALVES	
SIZE	DWG NO
	CT-0450-80-MPK/BS-IV
SCALE	REV
0.1 : 1	SHEET 1 OF 1

Customer	Date	17.12.2020
Contact	Project	
Phone number	Project no.	
Email		



6AI1M9C0

Operating data

Pump type	Fluid	Water
No. of pumps / Reserve	Operating temperature t A	°F 39.2
Nominal flow	pH-value at t A	7
Nominal head	Density at t A	lb/ft ³ 62.4
Static head	Kin. viscosity at t A	ft ² /s 1.689E-5
Inlet pressure	Vapor pressure at t A	psi 14.5
Environmental temperature	Solids	0
Available system NPSH	Altitude	ft 0

Pump data

Make	Goulds Water Technology	Nominal	US g.p.m. 468.5 (468.5)
Speed	rpm 3600	Flow	Max- US g.p.m. 500
No. of stages	1		Min- US g.p.m.
Max. casing pressure	psi		Nominal ft 86.7
Max. working pressure	psi 59.7	Head	at Qmax ft 75.1
Head H(Q=0)	ft 140		at Qmin ft 137.8
Weight	lb 424	Shaft power	hp 14 (14)
	Max. inch 7 1/16	Max. shaft power	hp 14
Impeller R	designed inch 6	Efficiency	% 73.19
	Min. inch 4 11/16	NPSH 3%	ft 14.9

Shaft Seal

Type 21	Xylem
(10K13) Car/Cer/Buna [Max Temp. 212°F/100°C] (Std.)	
Rotary	Carbon
Stationary	Ceramic
Elastomers	Buna-N
Metal Parts	316 SS
Application	General Use, Clean Water to 212°F/100°C, Non-Fluctuating Temp

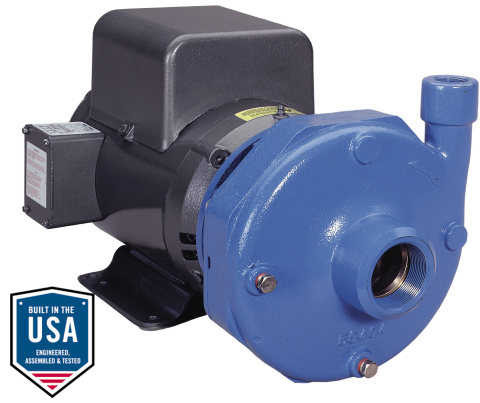
Motor data

Specific design	3ph TEPE	Speed	3500 rpm	Insulation class	F
Electric voltage	460 V	Frame size	215JM	Colour	RAL 5010
Type	230/460V 215JM (C13A32F5BE2S)	Degree of protection	IP 55		
Rated power	15 hp	Electric current	17 A		

Remarks:

Customer	Date	17.12.2020
Contact	Project	
Phone number	Project no.	
Email		

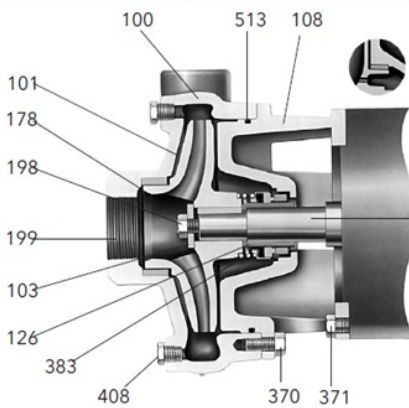
6AI1M9C0



Pump Materials

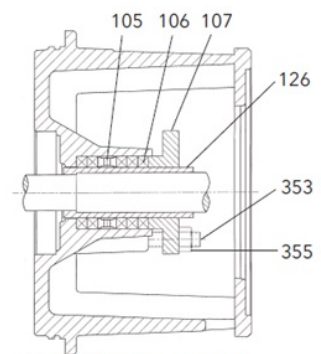
100 - Casing	Gray cast iron ASTM A48 CL20B
101 - Impeller	Gray cast iron ASTM A48 CL20B
103 - Casing wear ring	Gray cast iron ASTM A48 CL20B
108 - Adapter	Gray cast iron ASTM A48 CL20B
184 - Seal housing (One piece with adapter)	Gray cast iron ASTM A48 CL20B
198 - Impeller bolt	AISI Type 300 series stainless steel
199 - Impeller washer	AISI Type 300 series stainless steel
178 - Impeller key	Carbon Steel
370 - Hex head cap screw (adapter to case)	Steel SAE 1200 Grade 5
371 - Hex head cap screw (adapter to motor)	Steel SAE 1200 Grade 5
383 - Mechanical seal	See seal chart
408 - Pipe plug 1/4" or 3/8"	Steel
513 - O-ring	BUNA-N

3656 S-GROUP MATERIALS OF CONSTRUCTION MATERIALES DE CONSTRUCCIÓN - GRUPO S, MODELO 3756



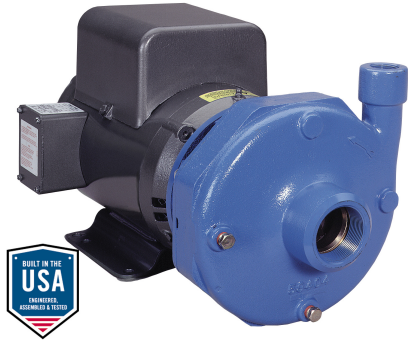
Back wearing ring on S-Group
(2½ x 3 - 7) only
*Anillo de desgaste posterior en el
Grupo S (2½ x 3 - 7) únicamente.*

AISI 1045 steel motor shaft
extension (typical)
*Extensión del eje del motor
de acero AISI 1045 (típico)*



Packed Box Arrangement
Caja prensaestopas

Remarks:



Customer	Date	17.12.2020
Contact	Project	
Phone number	Project no.	
Email		

6A1M9C0

Hydraulic Data

Operating Data Specification		Hydraulic data (duty point)		Impeller design	
Flow	450 US g.p.m.	Flow	469 US g.p.m.	Impeller R	6"
Head	80 ft	Head	86.7 ft	Frequency	60 Hz
Static head	0 ft			Speed	3600 rpm

Power data referred to:
Water [100%] ; 39.2°F; 62.4lb/ft³; 1.69E-5ft²/s
 Performance according to ISO 9906:2012 – Grade 3B

