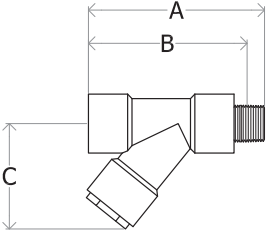


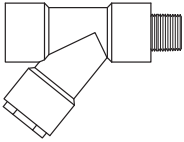
J.L. WINGERT CO.

Specification Sheet Y-STRAINER AND NIPPLE OPTION 05

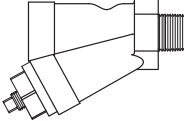
SS163505.C 11/15



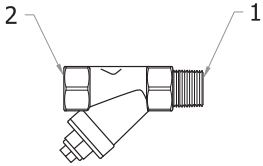
**OPTION 05 FOR
PCR CORROSION
COUPON RACK**



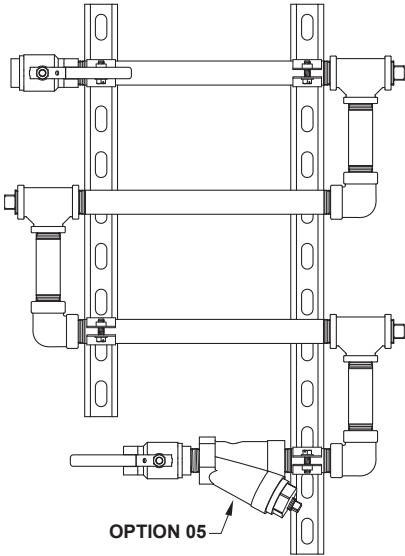
**OPTION 05 FOR
CCR CORROSION
COUPON RACK**



**OPTION 05 FOR
CSCR CORROSION
COUPON RACK**



**OPTION 05 FOR
SSCR CORROSION
COUPON RACK**



EXAMPLE OF OPTION 05 ON CSCR-3-007/05

| KEY | DESCRIPTION | |
|-----|-------------|-----------|
| 1 | INLET | 3/4" MNPT |
| 2 | OUTLET | 3/4" FNPT |

| DIMENSION | MODEL NUMBER | | | |
|-----------------------------|--------------|----------|-----------|-----------|
| | PCR_-007 | CCR_-007 | CSCR_-007 | SSCR_-007 |
| A | 5 1/16" | 5 1/16" | 4 5/8" | 4" |
| B (INSTALLED LENGTH) | 4 9/16" | 4 9/16" | 4 1/8" | 3 1/2" |
| C | 3" | 3" | 2 9/16" | 2 1/8" |

| TEMPERATURE (°F / °C) | NON-SHOCK PRESSURE RATING | | | | | | | |
|--------------------------|---------------------------|------|-------|------|----------------------|------|--------------------------------|------|
| | PVC | | CPVC | | Carbon Steel (CS) | | 316 Stainless Steel (SS) | |
| | PSI | BAR | PSI | BAR | PSI | BAR | PSI | BAR |
| 73° / 23° | 150.0 | 10.4 | 150.0 | 10.4 | 300.0 | 20.6 | 300.0 | 20.6 |
| 90° / 32° | 112.5 | 7.7 | 112.5 | 7.7 | 300.0 | 20.6 | 300.0 | 20.6 |
| 110° / 43° | 75.0 | 5.2 | 75.0 | 5.2 | 300.0 | 20.6 | 300.0 | 20.6 |
| 130° / 54° | 45.0 | 3.1 | 45.0 | 3.1 | 300.0 | 20.6 | 300.0 | 20.6 |
| 150° / 66° | N/A | N/A | N/A | N/A | 300.0 | 20.6 | 300.0 | 20.6 |
| 200° / 93° | N/A | N/A | N/A | N/A | 265.0 | 18.2 | 265.0 | 18.2 |
| 250° / 121° | N/A | N/A | N/A | N/A | 185.0 | 12.7 | 185.0 | 12.7 |

**Note: All dimensions are +/- 1/8". All dimensions are subject to change without notice.
See Operation & Maintenance Manual for part numbering.**